



# *HE18 Mini Excavator Zero Swing*



# HE18 Data Sheet

Model HE18	Parameters	Unit	
<b>Machine Data</b>	Machine weight	kg	1800
	Overall Length (Transport)	mm	3545
	Overall Width	mm	990
	Overall Height	mm	2250
	Bucket Digging Force	KN	14.7
	Bucket Arm Digging Force	KN	12.8
	Ground Clearance	mm	440
	Rated Lift load	kg	415
	Max Digging Depth	mm	2525
	Max digging Height	mm	3310
	Max Dumping Height	mm	2488
	Max Excavation Radius	mm	4050
	Bucket Width	mm	400
	Boom Length	mm	1780
	Arm Length	mm	940
	Dozer blade Width	mm	990/ 1300
	Dozer Blade Cleaning Depth	mm	180
	Dozer Blade Lifting Height	Mm	285
	Bucket Capacity	m <sup>3</sup>	0.045
<b>Engine Data</b>	Make	<b>Kubota (Made in Japan)</b>	
	Fuel Type	Diesel	
	Filtration	Donaldson	
	Cooling Type	Water Cooled	
	Model	D902	
	Cylinder	3	
	Displacement	L	0.918
	EU Emission Stage	Euro	5
	Max Power	Kw/HP	13 / 18
	Rated Speed	rpm	2300
<b>Hydraulic System</b>	Main Pump Make	<b>Bondioli (Made in Italy)</b>	
	Main Pump Type	Variable displacement	
	Working System Pressure	Bar	180
	Drive System Pressure	Bar	160
	Swing Drive Motor Make	<b>Eaton (Made in USA)</b>	
	Auxiliary Pump Type	Gear	
	Auxiliary Circuit Flowrate	L/pm	36
	Travell Drive Motor Make	<b>Eaton (Made in USA)</b>	
Travell Drive Motor Type	Plunger		

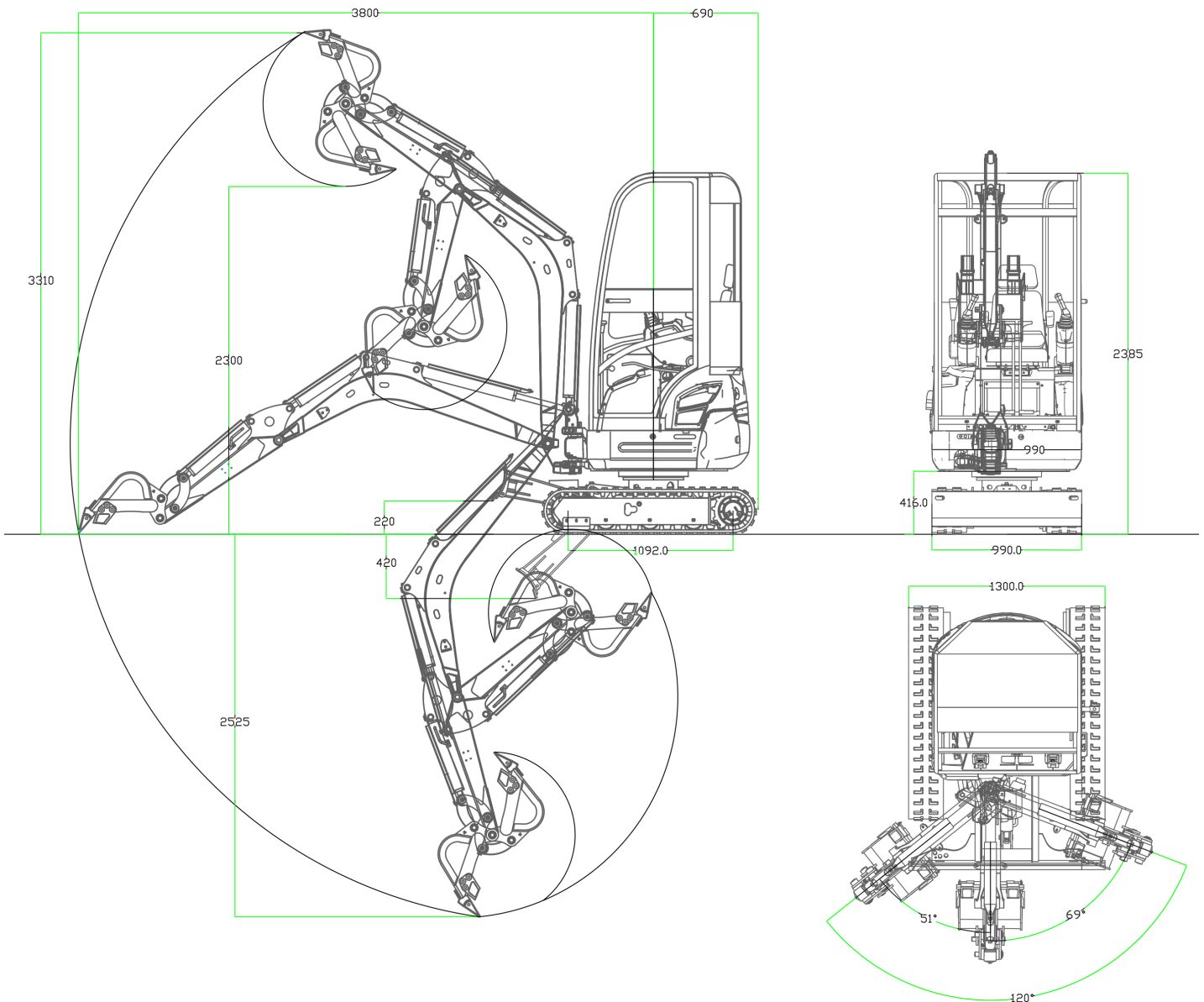
1) According to 2000/14/EG & appendixes. (2) According to 2000/14/EG & appendixes.

(3) According to ISO 6396. (4) According to ISO 8041. \*Depending on the engine variant.

A vouch for technical excellence, for powerful and reliable machines and for quality "Designed in The Netherlands". In their respective domain, they exceed the currently applicable emission standards. According to the emission regulations of different countries, you have the choice to select the right engine type for your purpose.

Specifications are subject to change without notice.

<b>Travell</b>	Type		Hydro static
	Slewing Speed	rpm	9.3
	Gradeability (degrees)	o	30 (58%)
	Ground Pressure	Kpa	28.86
	Drive and Steer control type		2 x Single Joystick Pilot control
<b>Quick Connectors</b>	Make		<b>Stauff (Germany)</b>
	Type		Flat Faced G1/2, G3/8
<b>Hitch</b>	Type		Hydraulic Quick Hitch
	Operation Type		Electric Switch
<b>Fluid Capacities</b>	Fuel Tank (L)		20
	Engine oil (L)		3.2
	Hydraulic oil (L)		16
<b>Track Spec</b>	Track width	mm	230
	Track Length	mm	1628
	Track Height	mm	43
<b>Electrical Data</b>	Operating Voltage (V)		12





**Hammer**



**Sieve Bucket**



**Auger Drive**



**Ripper**



**Trench Bucket**



**Hydraulic Quick Hitch**



**Rake**



**Mud Bucket**



**Grabs**

**P. de Heus en Zonen Greup B.V.**

Postbus 1529  
3260 BA Oud Beijerland , NL

**Visit address:**  
Stoujesdijk 153

3271 KB Mijnsheerenland , NL

