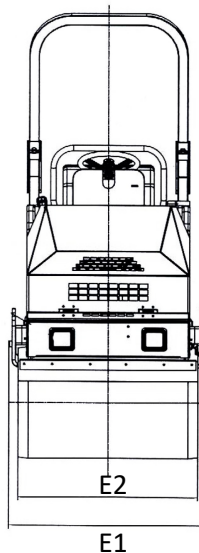
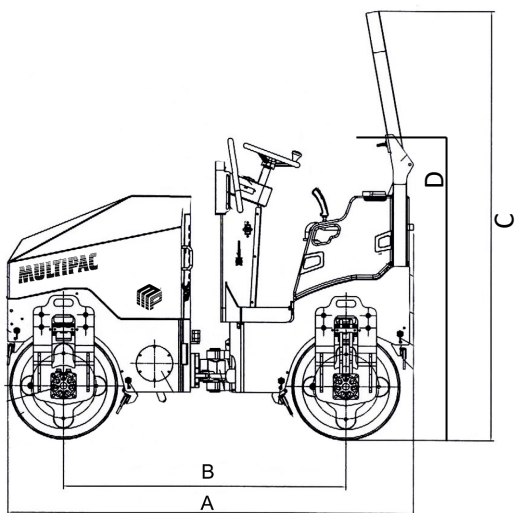


MULTIPAC



TC30H

- ❖ Articulated Tandem Roller
- ❖ Combination with Vibration



A	mm	2495
B	mm	1914
C	mm	2440
D	mm	2100
E1	mm	1310
E2	mm	1200

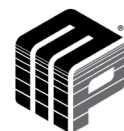


EU STAGE IIIA

TECHNICAL DATA	UNIT	TC30H
Diesel Engine		
Manufacturer		Yanmar (<i>Japan</i>)
Model		3TNV88
Emission Compliancy		Tier 4 / Euro Stage IIIA
Cylinders		3
Rated Power	HP/ Kw	35 / 26.6 @ 3000rpm
Displacement	L	1.116
Type		water-cooled, 4 stroke
Operating Weights		
Minimum weight	Kg	2700
Maximum weight	Kg	3000
Machine dimensions		
Load Height	mm	2100
Total Length	mm	2495
Width of Drum	mm	1200
Total Width	mm	1310
Total Height	mm	2440
Wheel Base	mm	1914
Ground Clearance	mm	308
Diameter of Drum	mm	560
Steering Angle	±	30
Turning radius inside	mm	1850
Vibration Performance		
Static Linear Load	N/CM	115/125
Amplitude Front	mm	0.5
Centrifugal Force Front	kN	30
Vibration Frequency	Hz	65
Wheel Dimensions		
Tyre Spec		10.5/80-6RP
Number of Wheels	Rear	4
Steering		
Steering Type		Articulated
Drive		
Type		Hydrostatic
Climbing ability	%	42
Climbing Ability with Vibration	%	32
Speed Variable	Km/h	0 - 12
Hydraulic System		
Pump		Axial Piston pump variable displacement
Manufacturer		Danfoss (<i>Germany</i>)
Drive		Radial piston motor x 2
Manufacturer		Poclair (<i>France</i>)
Vibration Motor		Gear Pump x 2
Manufacturer		Danfoss (<i>USA</i>)
Steering		Gear pump constant displacement
Park Brake		Wet disc - fail safe
Sprinkler System		
Type		Pressurised water
Mode		Pulsed/ Constant spray
Fill Capacities		
Fuel Tank	L	40
Water Tank	L	150
Emulsion Tank	L	25
Engine Oil	L	6

Standard Equipment

Foldable ROPS, LED work lights front, LED work lights rear, LED beacon, 3 point articulation, Dashboard, Dashboard security cover lockable, Audio visual alarm system, Indicator lights, Battery isolation switch, Anti-slip platform, Anti-slip entry steps, Safety hand rail, Emergency stop switch, Entry from both sides, Pressurised water sprinkling, Water spray switch, 2 x nylon Drum & 4 x Tyre scrapers spring adjusted, Neutral start safety switch, Articulation lock bar, Remote drain plugs, Hydrostatic steering, Automatic engine off function, Backup alarm



1) According to 2000/14/EG & appendices. (2) According to 2000/14/EG & appendices.
 (3) According to ISO 6396. (4) According to ISO 8041. *Depending on the engine variant.
 Multi pac compaction rollers vouch for technical excellence, for powerful and reliable machines and for quality "Designed in Germany". In their respective domain, they exceed the currently applicable emission standards. According to the emission regulations of different countries, you have the choice to select the right engine type for your purpose.