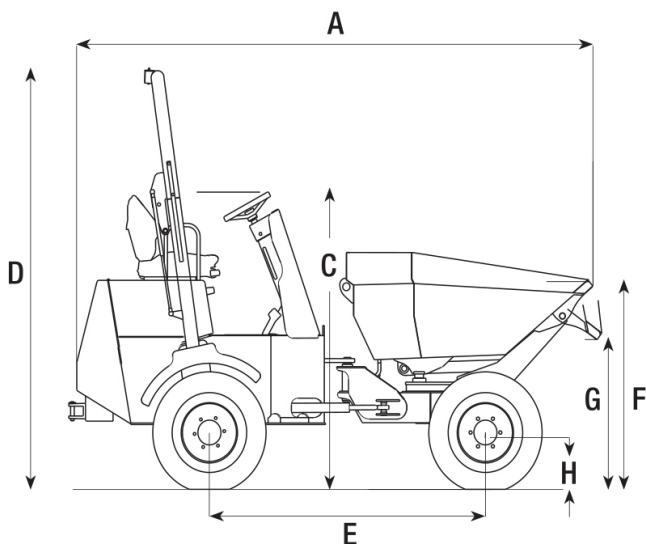


# MULTIPAC



# SD65

- ❖ 6500kg Site Dumper
- ❖ 180° Power Swivel



- ❖ Ergonomic Operators station
- ❖ Foldable ROPS FOPS Open Canopy
- ❖ Heavy Duty 3 - Point Articulation Joint
- ❖ High Performance 2 Speed Drive
- ❖ 180° Power swivel Hopper

*EPA TIER4  
Euro Stage V*



| TECHNICAL DATA                    | UNIT   | SD65                                    |
|-----------------------------------|--------|---|
| <b>Diesel Engine</b>              |        |   |
| Manufacturer                      |        | Yanmar (Japan)                          |
| Model                             |        | 4TNV 98T                                |
| Emission Compliancy               |        | Tier 4 / Euro Stage V                   |
| Cylinders                         |        | 4                                       |
| Rated Power                       | HP/ Kw | 90/ 65 @2400rpm                         |
| Displacement                      | L      | 3.31                                    |
| Type                              |        | Turbo, water-cooled, 4 stroke           |
| <b>Operating Weights</b>          |        |   |
| Payload weight Max                | Kg     | 7000                                    |
| Unladen weight                    | Kg     | 4500                                    |
| <b>Machine dimensions</b>         |        |   |
| A Total Length                    | mm     | 4700                                    |
| Total Width                       | mm     | 2190                                    |
| C Heit to Steering Wheel          | mm     | 2100                                    |
| D Total Height                    | mm     | 3000                                    |
| E Wheel Base                      | mm     | 2450                                    |
| F Height to Skip Mouth (untipped) | mm     | 1700                                    |
| G Height to Skip Mouth (tipped)   | mm     | 1130                                    |
| H Ground Clearance                | mm     | 500                                     |
| <b>Skip Capacities</b>            |        |   |
| Water                             | L      | 1950                                    |
| Struck                            | L      | 2700                                    |
| Heaped                            | L      | 3350                                    |
| <b>Tipping</b>                    |        |   |
| Type                              |        | Power Swivel                            |
| Tipping rotation                  | o      | 180                                     |
| <b>Steering</b>                   |        |   |
| Steering Type                     |        | Articulated                             |
| Steering Angle                    | ±      | 30                                      |
| Turning radius                    | mm     | 5600                                    |
| <b>Drive</b>                      |        |   |
| Type                              |        | 4WD                                     |
| Axles                             |        | Front & Rear                            |
| Manufacturer                      |        | Carraro (Italy)                         |
| Service Brake Type                |        | Wet Disc inboard oil immersed           |
| Park Brake Type                   |        | Hydraulic actuated                      |
| Climbing ability                  | %      | 60                                      |
| Speed Variable (Low & High)       | Km/h   | (1) 0 - 10 (2) 10 - 35                  |
| <b>Transmission</b>               |        |   |
| Type                              |        | Hydrostatic                             |
| Torque convertor                  |        | Hydraulic Automatic stepless            |
| Speeds                            |        | 2 speed (high & Low)                    |
| <b>Hydraulic System</b>           |        |   |
| Pump                              |        | Axial Piston pump variable displacement |
| Manufacturer                      |        | Danfoss (Germany)                       |
| Steering                          |        | Gear pump constant displacement         |
| <b>Fill Capacities</b>            |        |   |
| Fuel Tank                         | L      | 65L                                     |

### Standard Equipment

ROPS foldable Roll Bar , 4 x LED work lights front & Rear, 2 x Head lights, LED beacon, 3 point articulation, LED Dash display (with integrated parameters, Audio visual alarm system, machine diagnostics) Indicator lights, Battery isolation switch, Anti-slip entry steps, Anti-slip floor, Safety hand rail, 1 x Emergency stop switch, Neutral start safety switch, Articulation lock bar, Remote drain plugs, Hydrostatic steering, Backup alarm, Lockable tool box, Fire extinguisher, Storage net, 2 x External mirror

