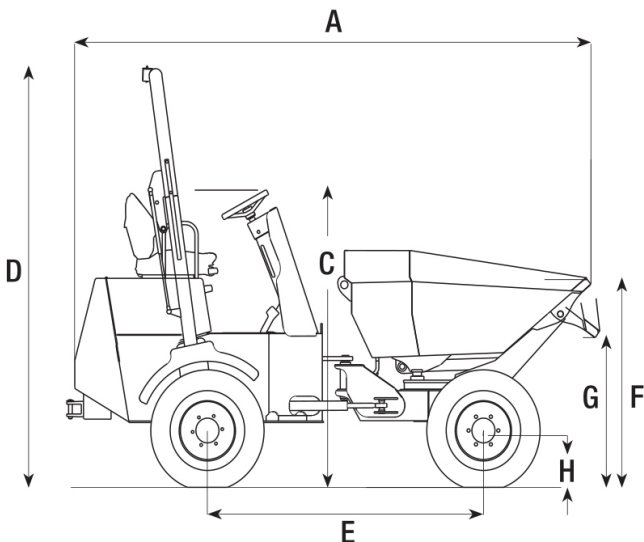


MULTIPAC



SD35

- ❖ 3500kg Site Dumper
- ❖ 180° Power Swivel



- ❖ Ergonomic Operators station
- ❖ Foldable ROPS FOPS Open Canopy
- ❖ Heavy Duty 3 - Point Articulation Joint
- ❖ High Performance 2 Speed Drive
- ❖ 180° Power swivel Hopper

*EPA TIER4
Euro Stage V*



TECHNICAL DATA	UNIT	104HP
Diesel Engine		
Manufacturer		Yanmar
Model		4TNV 88-VDSA2
Emission Compliancy		Tier 4 / Euro Stage V
Cylinders		4
Rated Power	HP/ Kw	55 / 38.7 @2400rpm
Displacement	L	2.236
Type		water-cooled, 4 stroke
Operating Weights		
Payload weight Max	Kg	4000
Unladen weight	Kg	2800
Machine dimensions		
A Total Length	mm	4100
Total Width	mm	1858
C Heit to Steering Wheel	mm	2100
D Total Height	mm	2900
E Wheel Base	mm	2000
F Height to Skip Mouth (untipped)	mm	1700
G Height to Skip Mouth (tipped)	mm	1130
H Ground Clearance	mm	500
Skip Capacities		
Water	L	1020
Struck	L	1520
Heaped	L	1890
Tipping		
Type		Power Swivel
Tipping rotation	o	180
Steering		
Steering Type		Articulated
Steering Angle	±	30
Turning radius	m	8
Drive		
Type		4WD
Axles		Front & Rear
Manufacturer		Carraro (<i>Italy</i>)
Service Brake Type		Wet Disc inboard oil immersed
Park Brake Type		Hydraulic actuated
Climbing ability	%	28
Speed Variable (Low & High)	Km/h	(1) 0 - 9 (2) 9 - 26
Transmission		
Type		Direct Drive Power shift
Torque convertor		Hydraulic Automatic stepless
Speeds		2 speed (high & Low)
Hydraulic System		
Pump		Axial Piston pump variable displacement
Manufacturer		Danfoss (<i>Germany</i>)
Steering		Gear pump constant displacement
Fill Capacities		
Fuel Tank	L	40L

Standard Equipment

ROPS foldable Roll Bar , 4 x LED work lights front & Rear, 2 x Head lights, LED beacon, 3 point articulation, LED Dash display (with integrated parameters, Audio visual alarm system, machine diagnostics) Indicator lights, Battery isolation switch, Anti-slip entry steps, Anti-slip floor, Safety hand rail, 1 x Emergency stop switch, Neutral start safety switch, Articulation lock bar, Remote drain plugs, Hydrostatic steering, Backup alarm, Lockable tool box, Fire extinguisher, Storage net, 2 x External mirror

