

# pw 1500



antec spa



# Mini-Road Paver Wheels

## pw 1500

### TECHNICAL DATA

#### DIMENSIONS

Length (transport) mm 2300  
 Dimensions (see ill.)

#### ENGINE

Manufacturer HATZ  
 Type Air cooling diesel  
 No. of cylinders 1  
 Power (DIN/ISO 3046/1 "BII") kW 5 (6,8 PS)  
 @ 2800 rpm Nm 25 @ 2000 rpm  
 Max torque  
 Generator 14 V - 50 A

#### BRAKES

Service brake Hydrostatic  
 Parking brake/Emergency Multiple disks negative brake on reduction gear

#### TRACTION - STEERING

Transmission type Hydrostatic  
 Steering type Hydraulic  
 Internal turning radius m 0,35

#### PERFORMANCES

Spread layer width mm 800 ÷ 1300  
 Max spread layer width (with mech. ext.) mm 1500  
 Production t/h 35  
 Layer thickness mm 5 ÷ 100  
 Hopper capacity m<sup>3</sup> 0,6  
 Speed (transfer) km/h 0 - 3,5

#### TANK CAPACITY

Fuel tank lt. 5  
 Hydraulic oil lt. 15

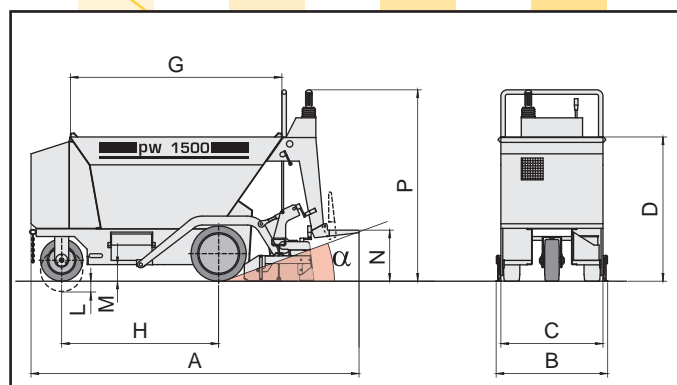
#### WHEELS

Traction n°2 Ø 432x137  
 Steering n°1 Ø 330x114

#### WEIGHTS (CECE)

Paver with screed kg 670

### DIMENSIONS (mm)



A	B	C	D	G	H	L	M	N	P	$\alpha$
2570	860	800	1130	1660	1230	70	130	400	1500	20°

### EQUIPMENT

#### OPTIONAL EQUIPMENT

Front wheel drive  
 Kit for gas heating  
 Mechanical extensions 2x100 mm  
 Reduction plates for screed paving width at mm 250  
 Manual material distributor (patent pending)  
 Manual control of layer thickness (patent pending)  
 Manual control front wheel height (patent pending)

### DESCRIPTION

Three wheel (cushion) paver, two rear for traction and one front for steering. Fixed hopper, side chargeable by skid-loader. Standing drive on rear platform.

Air-cooled diesel engine with electric start/stop, assembled together with the hydraulic pumps. Hydrostatic transmission with variable flow rate pump that feeds two orbital motors. Two piston motors are fitted to the epicycloidal drives of the traction. A proportional electronic servo-control, mounted on the variable flow pump, allows the progressive start and stop, by an hydraulic manipulator. Hydraulic steering with lever distributor. Feeding of material: conveyor belt with anti-wearing steel slats and hydraulic transmission.

One electrical plate switch on the conveyor controls the flow of material. Screed: the mini-paver is equipped with the screed R1500, extendible for a 800-1300 mm layer (option for mechanical extensions for a 1500 mm layer).

The extension and lifting of the screed are manual.

**Sizes, specifications and photos are not binding and can change without any notice.**

ANTEC S.p.a. Viale Primo Maggio, 4/B - 20068 Peschiera Borromeo - MI - Italia

Tel. +3902547471 fax. +390255300417

Web: www.antec-spa.com - E-mail: info@antec-spa.com



COMPANY  
 WITH QUALITY MANAGEMENT  
 SYSTEM CERTIFIED BY DNV  
 == UNI EN ISO 9001:2000 ==